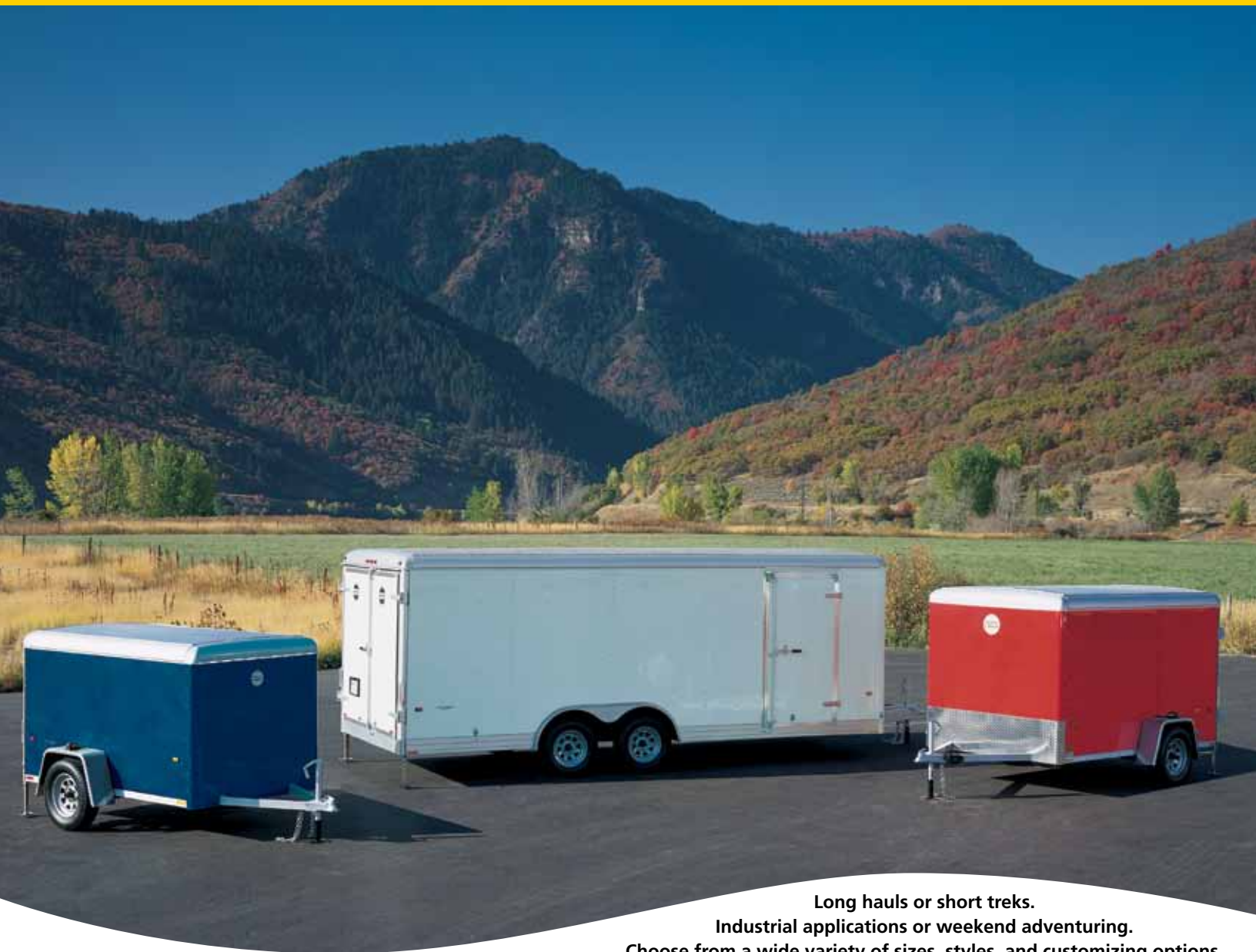




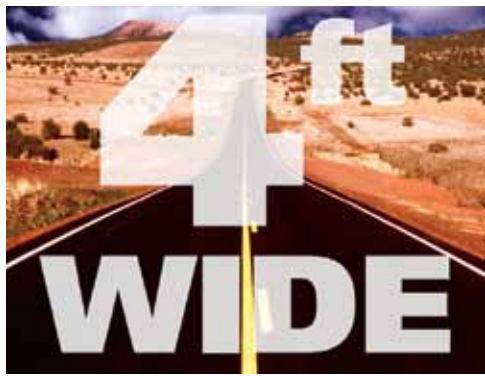
***Since 1954***

# **Enclosed Cargo Trailers**



Long hauls or short treks.  
Industrial applications or weekend adventuring.  
Choose from a wide variety of sizes, styles, and customizing options.  
Designed, engineered, and manufactured by the most respected name  
in the cargo trailer industry — Wells Cargo.

***With a Wells Cargo Behind . . . You Never Look Back!™***



# Mini Wagon®

## ***Small in size. Big on brawn.***

The Mini Wagon is the perfect companion for weekend road trips or daily small business hauling needs. It's just 4' wide and 6' long, but don't let the small size fool you. It has all the same tough construction you'll find in our bigger commercial grade trailers. Designed to fit comfortably behind today's popular Minivans and SUV's, the Mini Wagon's compact size and low profile deliver unparalleled towability. You'll hardly notice it's behind you, except for the look of envy from passersby. To top things off, the Mini Wagon features a high impact thermo-polymer roof. In the case of a Wells Cargo Mini Wagon . . .

*"Good things do come in small packages!"*





**SPECIFICATIONS Mini Wagon®**

MODEL	MW6
Body Length	6'0"
Body Width	4'0"
Overall Length	9'2"
Overall Width (Includes Fenders)	5'10"
Overall Height	5'7"
Interior Length	5'9"
Interior Width	3'9"
Interior Height	4'0"
Platform Height	17"
Axles	Single
Axle Type	6" Drop
Suspension	Torflex®
Tire Size	15"
Load Range	C
Wheel Bolt Pattern	5-Bolt/4.5
Hitch Ball Size	2"
Hitch to Top of Ball	19"
Hitch Weight (% of Curb Weight)	10-15%
Curb Weight (lb.)	600
GVWR (lb.)	2200
GAWR (lb.)	2000
Average Payload Capacity (lb.)	1600
Cubic Capacity (Cubic Ft.)	86
Rear Door Style	Single
Rear Door Opening Width	40 1/2"
Rear Door Opening Height	38"

Specifications and features subject to change without notice.



**STANDARD FEATURE CHECKLIST:**

- Torflex® Rubber Torsion Axles with E-Z Lube Hubs
- 15" Radial Tires
- 5-Bolt Silver Spoke Wheels (E-Coated)
- Single Rear Door
- One-piece, Thermo-Polymer Roof
- Aluminum Tread Plate Fenders
- .030 Prefinished Smooth Aluminum Exterior Bonded (No Screws)
- LED Exterior Lighting
- Wells Cargo LED Safety Package
- Extruded Aluminum Bottom Trim with Anodized Finish
- All Aluminum "Anti-Rack" Cam Lock with Stainless Steel Hasp
- 1/4" Plywood Interior Sidewall
- 3/4" Exterior Grade Plywood Floor
- 12 Volt End Connector (4-way plug)
- Jack Ram Hoist with Sand Pad
- 2" Positive Lock Ball Coupler
- D.O.T. Safety Chains with Hooks



**OPTIONS**



Side Vents



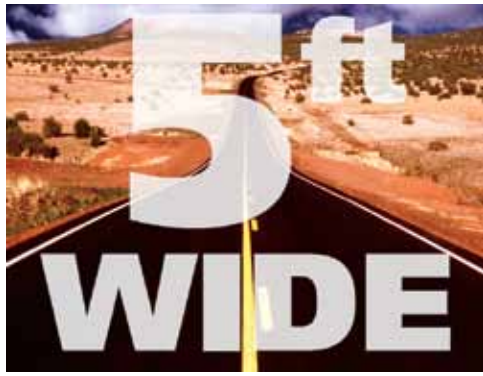
Vice Lock Style Door Hasp



Floor Tie-Downs with Backing Plate



Roof Vent



# Service Wagon®

## Ready to roll . . . Work or play!

The user-friendly Service Wagon is eager to please and ready to follow. Just hitch this agile trailer to the back of almost any sized tow vehicle and you're ready to tackle the most formidable "to do" list. Whether it's camping gear for the scout troop, supplies for your catering business, or tools for the job site, the Wells Cargo Service Wagon is up to the challenge. And, just like the larger trailers in our cargo trailer line, the Service Wagon doesn't skimp on quality. You can tell by our advanced design, top-notch components, and fit & finish that we're serious about our position as the industry leader. Turn to Wells Cargo if you're serious about getting a great value.



**OPTIONS**



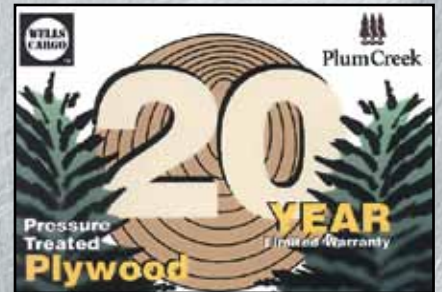
Desk Light



Access Doors



12 Volt Dome Light with Switch

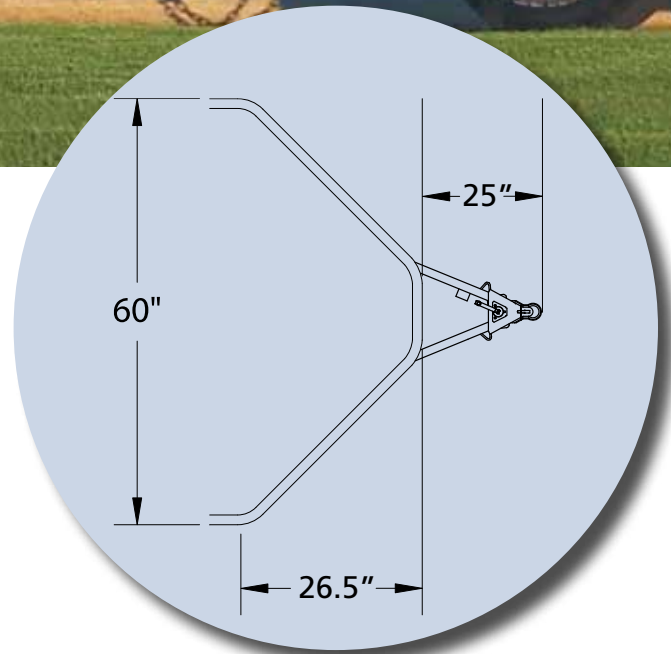


Pressure Treated Plywood Floors & Walls



**SPECIFICATIONS Service Wagon®**

MODEL	SW8	SW10
<b>Body Length</b>	8'6"	10'0"
<b>Body Width</b>	5'0"	5'0"
<b>Overall Length</b>	12'0"	13'6"
<b>Overall Width</b> (Includes Fenders)	6'10"	6'10"
<b>Overall Height</b>	6'9"	6'9"
<b>Interior Length</b>	8'3"	9'9"
<b>Interior Width</b>	4'9"	4'9"
<b>Interior Height</b>	5'0"	5'0"
<b>Platform Height</b>	18"	18"
<b>Axles</b>	Single	Single
<b>Axle Type</b>	4" Drop	4" Drop
<b>Suspension</b>	Torflex®	Torflex®
<b>Tire Size</b>	15"	15"
<b>Load Range</b>	C	C
<b>Wheel Bolt Pattern</b>	5-Bolt/4.5	5-Bolt/4.5
<b>Hitch Ball Size</b>	2"	2"
<b>Hitch to Top of Ball</b>	17"	17"
<b>Hitch Weight</b> (% of Curb Weight)	10-15%	10-15%
<b>Curb Weight</b> (lb.)	820	880
<b>GVWR</b> (lb.)	2750	2750
<b>GAWR</b> (lb.)	2500	2500
<b>Average Payload Capacity</b> (lb.)	1930	1870
<b>Cubic Capacity</b> (Cubic Ft.)	195	231
<b>Rear Door Style</b>	Double	Double
<b>Rear Door Opening Width</b>	52½"	52½"
<b>Rear Door Opening Height</b>	51"	51"

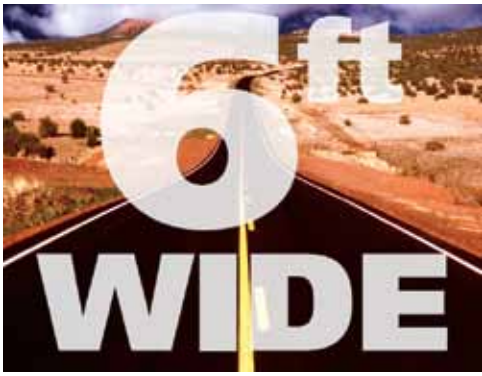


Service Wagon® V-FRONT SPECS	
SPECIFICATION CATEGORY	INCREASES STANDARD MEASUREMENT BY:
<b>Body Length</b>	+26.5"
<b>Overall Length</b>	+9.5"
<b>Curb Weight:</b>	+80 lb.

**STANDARD FEATURE CHECKLIST:**

- Torflex® Rubber Torsion Axles with E-Z Lube Hubs
- 15" Radial Tires
- 5-Bolt Silver Spoke Wheels (E-Coated)
- Double Rear Doors
- Seamless Aluminum Roof
- Aluminum Tread Plate Fenders
- .030 Prefinished Smooth Aluminum Exterior Bonded (No Screws)
- LED Exterior Lighting
- Wells Cargo LED Safety Package
- Extruded Aluminum Bottom Trim with Anodized Finish
- Extruded Aluminum Roof Cove/Drip Rail with Anodized Finish
- All Aluminum "Anti-Rack" Cam Lock with Stainless Steel Hasp
- 1/4" Plywood Interior Sidewall
- 3/4" Exterior Grade Plywood Floor
- 12 Volt End Connector (4-way plug)
- Jack Ram Hoist with Sand Pad
- 2" Positive Lock Ball Coupler
- D.O.T. Safety Chains with Hooks

Specifications and features subject to change without notice.



# Single Axle Tote Wagon®



## Doesn't Mind Working Overtime

Business or pleasure, short jaunts or long treks, the Tote Wagon is the "go to" trailer of choice. In fact, if there was an award for the **MVT** (Most Versatile Trailer), the Wells Cargo Tote Wagon would win hands down. This multi-purpose six footer is an uncompromising blend of solid engineering, built-in durability, and everyday utility. The streamlined body silhouette and independent rubber torsion suspension system deliver unsurpassed road stability. Wherever you go your Tote Wagon will follow . . . no need to look back. We've also given a high priority to reducing maintenance and retaining resale value. You have more important things to do with your time than pamper your trailer.

*Features optional equipment available at additional charge.*



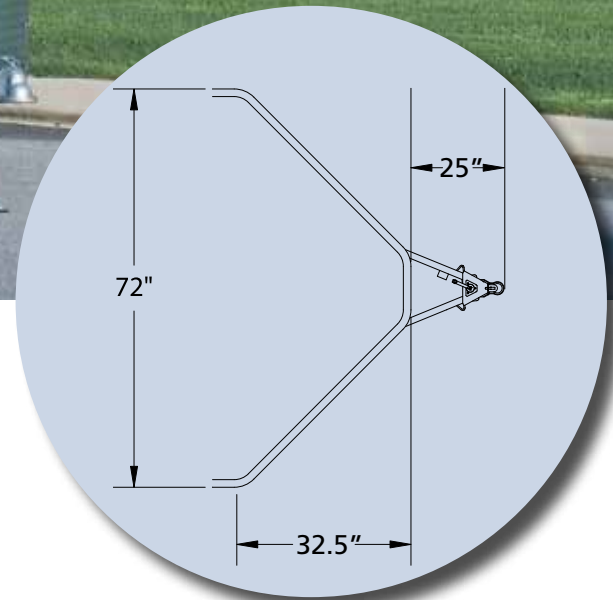


Features optional equipment available at additional charge.

## SPECIFICATIONS Single Axle Tote Wagon®

MODEL	TW101	TW121	TW141
<b>Body Length</b>	10'0"	12'0"	14'0"
<b>Body Width</b>	6'0"	6'0"	6'0"
<b>Overall Length</b>	14'0"	16'0"	18'0"
<b>Overall Width</b> (Includes Fenders)	7'10"	7'10"	7'10"
<b>Overall Height</b>	7'8"	7'8"	7'8"
<b>Interior Length</b>	9'9"	11'9"	13'9"
<b>Interior Width</b>	5'9"	5'9"	5'9"
<b>Interior Height</b>	6'0"	6'0"	6'0"
<b>Platform Height</b>	18"	18"	18"
<b>Axles</b>	Single	Single	Single
<b>Axle Type</b>	4" Drop	4" Drop	4" Drop
<b>Suspension</b>	Torflex®	Torflex®	Torflex®
<b>Tire Size</b>	15"	15"	15"
<b>Load Range</b>	C	C	C
<b>Wheel Bolt Pattern</b>	5-Bolt/4.5	5-Bolt/4.5	5-Bolt/4.5
<b>Hitch Ball Size</b>	2"	2"	2"
<b>Hitch to Top of Ball</b>	17"	17"	17"
<b>Hitch Weight</b> (% of Curb Weight)	10-15%	10-15%	10-15%
<b>Curb Weight</b> (lb.)	990	1200	1400
<b>GVWR</b> (lb.)	2990	2990	2990
<b>GAWR</b> (lb.)	2990	2990	2990
<b>Average Payload Capacity</b> (lb.)	2000	1790	1590
<b>Cubic Capacity</b> (Cubic Ft.)	336	405	474
<b>Rear Door Style</b>	Double	Double	Double
<b>Rear Door Opening Width</b>	64½"	64½"	64½"
<b>Rear Door Opening Height</b>	63"	63"	63"

Specifications and features subject to change without notice.

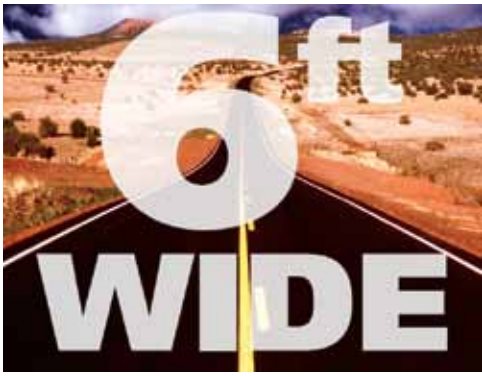


## Tote Wagon® V-FRONT SPECS

SPECIFICATION CATEGORY	INCREASES STANDARD MEASUREMENT BY:
<b>Body Length</b>	+32.5"
<b>Overall Length</b>	+9.5"
<b>Curb Weight:</b>	+120 lb.

## STANDARD TW FEATURE CHECKLIST:

- Torflex® Rubber Torsion Axles with E-Z Lube Hubs
- 15" Radial Tires
- 5-Bolt Silver Spoke Wheels (E-Coated)
- Double Rear Doors
- Seamless Aluminum Roof
- Aluminum Tread Plate Fenders
- .030 Prefinished Smooth Aluminum Exterior Bonded (No Screws)
- LED Exterior Lighting
- Wells Cargo LED Safety Package
- Extruded Aluminum Bottom Trim with Anodized Finish
- Extruded Aluminum Roof Cove/Drip Rail with Anodized Finish
- All Aluminum "Anti-Rack" Cam Lock with Stainless Steel Hasp
- 1/4" Plywood Interior Sidewall
- 3/4" Exterior Grade Plywood Floor
- 12 Volt End Connector (4-way plug)
- Jack Ram Hoist with Sand Pad
- 2" Positive Lock Ball Coupler
- D.O.T. Safety Chains with Hooks



## Tandem Axle Tote Wagon®

### ***All Around...All Purpose...All American!***

There's more than one way to tackle a tough job. If capacity is an issue, step up to a tandem axle Tote Wagon. These durable models have 4-wheel electric brakes, a reinforced A-frame with center tube, and a roomy 6' of interior headroom as standard equipment.



*Features optional equipment  
available at additional charge.*



MODEL	TW122	TW142	TW162
<b>Body Length</b>	<b>12'0"</b>	<b>14'0"</b>	<b>16'0"</b>
<b>Body Width</b>	6'0"	6'0"	6'0"
<b>Overall Length</b>	<b>16'0"</b>	<b>18'0"</b>	<b>20'0"</b>
<b>Overall Width</b> (Includes Fenders)	7'10"	7'10"	7'10"
<b>Overall Height</b>	7'9"	7'9"	7'9"
<b>Interior Length</b>	11'9"	13'9"	15'9"
<b>Interior Width</b>	5'9"	5'9"	5'9"
<b>Interior Height</b>	6'0"	6'0"	6'0"
<b>Platform Height</b>	19"	19"	19"
<b>Axles</b>	Tandem	Tandem	Tandem
<b>Axle Type</b>	4" Drop	4" Drop	4" Drop
<b>Suspension</b>	Torflex®	Torflex®	Torflex®
<b>Tire Size</b>	15"	15"	15"
<b>Load Range</b>	C	C	C
<b>Wheel Bolt Pattern</b>	5-Bolt/4.5	5-Bolt/4.5	5-Bolt/4.5
<b>Hitch Ball Size</b>	2 <sup>5</sup> / <sub>16</sub> "	2 <sup>5</sup> / <sub>16</sub> "	2 <sup>5</sup> / <sub>16</sub> "
<b>Hitch to Top of Ball</b>	18"	18"	18"
<b>Hitch Weight</b> (% of Curb Weight)	10-15%	10-15%	10-15%
<b>Curb Weight</b> (lb.)	<b>1615</b>	<b>1675</b>	<b>1735</b>
<b>GVWR</b> (lb.)	7700	7700	7700
<b>GAWR</b> (lb.)	7000	7000	7000
<b>Average Payload Capacity</b> (lb.)	6085	6025	5965
<b>Cubic Capacity</b> (Cubic Ft.)	405	474	543
<b>Rear Door Style</b>	Double	Double	Double
<b>Rear Door Opening Width</b>	64½"	64½"	64½"
<b>Rear Door Opening Height</b>	63"	63"	63"

Specifications and features subject to change without notice.



Features optional equipment available at additional charge.

**STANDARD FEATURE CHECKLIST:**

- Torflex® Rubber Torsion Axles with E-Z Lube Hubs
- 15" Radial Tires
- 5-Bolt Silver Spoke Wheels (E-Coated)
- 4-Wheel Electric Brakes featuring Dexter® Nev-R-Adjust
- Double Rear Doors
- Seamless Aluminum Roof
- Smooth Aluminum Fenders (mill finished)
- .030 Prefinished Smooth Aluminum Exterior Bonded (No Screws)
- LED Exterior Lighting
- Wells Cargo LED Safety Package
- Extruded Aluminum Bottom Trim with Anodized Finish
- Extruded Aluminum Roof Cove/Drip Rail with Anodized Finish
- All Aluminum "Anti-Rack" Cam Lock with Stainless Steel Hasp
- 1/4" Plywood Interior Sidewall
- 3/4" Exterior Grade Plywood Floor
- 12 Volt End Connector (7-way plug)
- Jack Ram Hoist with Sand Pad
- 2<sup>5</sup>/<sub>16</sub>" Positive Lock Ball Coupler
- Breakaway System with Wet Cell Battery
- D.O.T. Safety Chains with Hooks



**OPTIONS**



Swing-Out Light



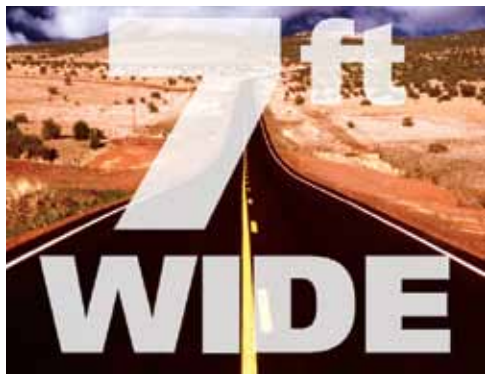
Ramp Door Extension



Aerodynamic Nose Cone®



Roof Mounted Storage



# cargoWagon®

## At home on the job.

Day after day, job after job, year after year, the cargoWagon proves that it's built to go the distance . . . and then some! Go ahead. Put us to the test. We're confident you won't find a longer lasting trailer than a Wells Cargo cargoWagon. You can achieve that kind of durability when you focus on building a better trailer, rather than cutting corners. Everyday is an ongoing challenge to improve our manufacturing processes assuring you get the most trailer for your hard earned dollar. We've been doing it for over 50 years and we're not about to change now. After all, striving for quality is a hard habit to break. Models shown feature standard 102" wide axles with a flush floor – no obstructions to hinder loading. Models with 96" overall width (with interior wheel boxes) also available.



Features optional equipment available at additional charge.



Special thanks to Wasatch Front — Sound Dance and Recording Co. (1-800-370-1301) Clearfield, UT

### STANDARD FEATURE CHECKLIST:

- Torflex® Rubber Torsion Axles (4" Drop)
- 15" Radial Tires
- 5-Bolt Silver Spoke Wheels (E-Coated)
- 4-Wheel Electric Brakes featuring Dexter® Nev-R-Adjust
- Double Rear Doors
- Seamless Aluminum Roof
- Smooth Aluminum Fenders (mill finished)
- .030 Prefinished Aluminum Exterior
- LED Exterior Lighting
- Wells Cargo LED Safety Package
- Extruded Aluminum Bottom Trim with Anodized Finish
- Extruded Aluminum Roof Cove/Drip Rail with Anodized Finish
- All Aluminum "Anti-Rack" Cam Lock with Stainless Steel Hasp
- 1/4" Plywood Interior Sidewall
- 3/4" Exterior Grade Plywood Floor
- 12 Volt End Connector (7-way plug)
- Jack Ram Hoist with Sand Pad
- Positive Lock Ball Coupler (see specs. for size)
- Breakaway System with Wet Cell Battery
- D.O.T. Safety Chains with Hooks

### OPTIONS



Rear Roll-Up Door



E-Track (Wall & Floor)



Exterior Halogen Spotlight

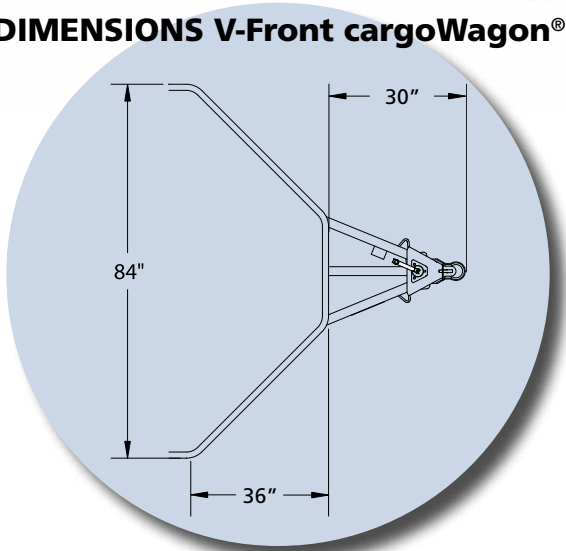


ABS Hub Covers & Trim Rings



**DIMENSIONS V-Front cargoWagon®**

Features optional equipment available at additional charge.



cargoWagon® V-FRONT SPECS	
SPECIFICATION CATEGORY	INCREASES STANDARD MEASUREMENT BY:
Body Length	+36"
Overall Length	+18"
Curb Weight:	+150 lb.

**SPECIFICATIONS cargoWagon®**

MODEL	CW121-102	CW141-102	CW1222-102	CW1422-102	CW1622-102	CW1822-102	CW2022-102
<b>Body: Length</b>	12'0"	14'0"	12'0"	14'0"	16'0"	18'0"	20'0"
<b>Width</b>	7'0"	7'0"	7'0"	7'0"	7'0"	7'0"	7'0"
<b>Overall: Length</b>	16'0"	18'0"	16'0"	18'0"	20'0"	22'0"	24'0"
<b>Width</b> (Flush floor includes Fenders)*	8'6"	8'6"	8'6"	8'6"	8'6"	8'6"	8'6"
<b>Height</b>	7'10"	7'10"	7'10"	7'10"	7'10"	8'0"	8'0"
<b>Interior: Length</b>	11'9"	13'9"	11'9"	13'9"	15'9"	17'9"	19'9"
<b>Width</b>	6'9"	6'9"	6'9"	6'9"	6'9"	6'9"	6'9"
<b>Height</b>	6'0"	6'0"	6'0"	6'0"	6'0"	6'0"	6'0"
<b>Platform Height</b>	19"	19"	19"	19"	19"	21"	21"
<b>Axles</b>	Single	Single	Tandem	Tandem	Tandem	Tandem	Tandem
<b>Axle Type</b>	4" Drop	4" Drop	4" Drop	4" Drop	4" Drop	4" Drop	4" Drop
<b>Suspension</b>	Torflex®	Torflex®	Torflex®	Torflex®	Torflex®	Torflex®	Torflex®
<b>Tire Size</b>	15"	15"	15"	15"	15"	15"	15"
<b>Load Range</b>	C	C	C	C	C	C	C
<b>Wheel Bolt Pattern</b>	5-Bolt/4.5	5-Bolt/4.5	5-Bolt/4.5	5-Bolt/4.5	5-Bolt/4.5	5-Bolt/4.5	5-Bolt/4.5
<b>Hitch Ball Size</b>	2"	2"	2 <sup>3</sup> / <sub>16</sub> "	2 <sup>3</sup> / <sub>16</sub> "	2 <sup>3</sup> / <sub>16</sub> "	2 <sup>3</sup> / <sub>16</sub> "	2 <sup>3</sup> / <sub>16</sub> "
<b>Hitch to Top of Ball</b>	18"	18"	18"	18"	18"	20"	20"
<b>Hitch Weight</b> (% of Curb Weight)	10-15%	10-15%	10-15%	10-15%	10-15%	10-15%	10-15%
<b>Curb Weight</b> (lb.)	1600	1700	1870	1970	2070	2390	2570
<b>GVWR</b> (lb.)	3850	3850	7700	7700	7700	7700	7700
<b>GAWR</b> (lb.)	3500	3500	7000	7000	7000	7000	7000
<b>Avg. Payload Capacity</b> (lb.)	2250	2150	5830	5730	5630	5310	5130
<b>Cubic Capacity</b> (Cubic Ft.)	475	556	475	556	637	718	799
<b>Rear Doors</b>	Double	Double	Double	Double	Double	Double	Double
<b>Rear Door Opening: Width</b>	76 <sup>1</sup> / <sub>2</sub> "	76 <sup>1</sup> / <sub>2</sub> "	76 <sup>1</sup> / <sub>2</sub> "	76 <sup>1</sup> / <sub>2</sub> "	76 <sup>1</sup> / <sub>2</sub> "	76 <sup>1</sup> / <sub>2</sub> "	76 <sup>1</sup> / <sub>2</sub> "
<b>Height</b>	63"	63"	63"	63"	63"	63"	63"

\*cargoWagon models with 96" overall width (including fenderettes) with interior wheel boxes also available at no additional charge.

Specifications and features subject to change without notice.

**8 ft**  
**WIDE**

# Express Wagon®

***It takes everything you've got!***

Big jobs. You know, the ones that others back away from. Not the rugged Express Wagon. It was designed specifically for the tough assignments. Extra attention has been given to assure the highest performance and longest service life. Our chassis and frame design are the envy of the industry. We have literally

thousands of trailers still in service after 20+ years . . . that's more years than most of our competition has been in business! A wide selection of lengths, payloads, and customizing options mean you can find the right trailer for the business at hand. For even more cubic capacity, add the optional Wide Body configuration with a generous 95" interior width. Sometimes bigger is better.



*Special thanks to TimberLodge Collection (U & I Furniture) Ogden, UT*

**OPTIONS**



**Stabilizer Jacks**



**Sub-Floor Tire Carrier**



**AlumaSport™ Wheels (Wells Cargo Exclusive)**



**On-Board Generator**

## SPECIFICATIONS 2-Ton Express Wagon®



MODEL	EW1222	EW1622	EW2022	EW2422
<b>Body:</b> Length	12'0"	16'0"	20'0"	24'0"
Width	7'9"	7'9"	7'9"	7'9"
<b>Overall:</b> Length	16'0"	20'0"	24'0"	28'0"
Width (Includes Fenderettes)	8'6"	8'6"	8'6"	8'6"
Height	8'5"	8'5"	8'5"	8'5"
<b>Interior:</b> Length	11'9"	15'9"	19'9"	23'9"
Width	7'6"	7'6"	7'6"	7'6"
Height	6'6"	6'6"	6'6"	6'6"
<b>Platform Height:</b> Wheel Boxes	21"	21"	21"	21"
Flush Floor	29"	29"	29"	29"
<b>Axles</b>	Tandem	Tandem	Tandem	Tandem
<b>Axle Type</b>	4" Drop	4" Drop	4" Drop	4" Drop
<b>Suspension</b>	Torflex®	Torflex®	Torflex®	Torflex®
<b>Tire Size</b>	15"	15"	15"	15"
<b>Load Range</b>	C	C	C	C
<b>Wheel Bolt Pattern</b>	5-Bolt/4.5	5-Bolt/4.5	5-Bolt/4.5	5-Bolt/4.5
<b>Hitch Ball Size</b>	2 <sup>5</sup> / <sub>16</sub> "	2 <sup>5</sup> / <sub>16</sub> "	2 <sup>5</sup> / <sub>16</sub> "	2 <sup>5</sup> / <sub>16</sub> "
<b>Hitch to Top of Ball</b>	19"	19"	19"	19"
<b>Hitch Weight</b> (% of Curb Weight)	10-15%	10-15%	10-15%	10-15%
<b>Curb Weight</b> (lb.)	2080	2370	2660	2950
<b>GVWR</b> (lb.)	7700	7700	7700	7700
<b>GAWR</b> (lb.)	7000	7000	7000	7000
<b>Avg. Payload Capacity</b> (lb.)	5620	5330	5040	4750
<b>Cubic Capacity</b> (Cubic Ft.)	572	767	962	1157
<b>Rear Doors</b>	Double	Double	Double	Double
<b>Rear Door Opening:</b> Width	85 <sup>3</sup> / <sub>4</sub> "	85 <sup>3</sup> / <sub>4</sub> "	85 <sup>3</sup> / <sub>4</sub> "	85 <sup>3</sup> / <sub>4</sub> "
Height	68 <sup>1</sup> / <sub>2</sub> "	68 <sup>1</sup> / <sub>2</sub> "	68 <sup>1</sup> / <sub>2</sub> "	68 <sup>1</sup> / <sub>2</sub> "

### STANDARD FEATURES CHECKLIST:

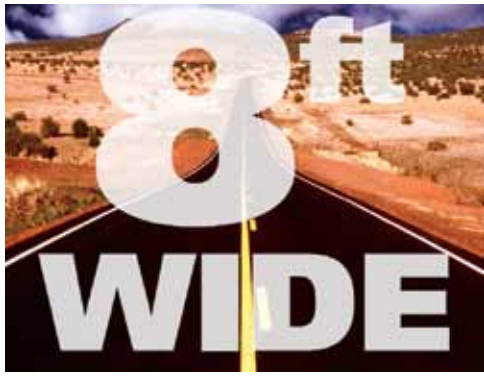
- Torflex® Rubber Torsion Axles (4" Drop)
- Radial Tires
- Silver Spoke Wheels (E-Coated)
- 4-Wheel Electric Brakes featuring Dexter® Nev-R-Adjust
- Double Rear Doors
- Galvanized Steel Roof
- Smooth Aluminum Fenderettes (mill finished)
- .030 Prefinished Aluminum Exterior
- LED Exterior Lighting
- Wells Cargo LED Safety Package
- Extruded Aluminum Bottom Trim with Anodized Finish
- Extruded Aluminum Roof Cove/Drip Rail with Anodized Finish
- All Aluminum "Anti-Rack" Cam Lock with Stainless Steel Hasp
- 1/4" Plywood Interior Sidewall
- 3/4" Exterior Grade Plywood Floor
- 12 Volt End Connector (7-way plug)
- Jack Ram Hoist with Sand Pad
- 2<sup>5</sup>/<sub>16</sub>" Positive Lock Ball Coupler
- Breakaway System with Wet Cell Battery
- D.O.T. Safety Chains with Hooks

**NOTE:** 7 Ton Express Wagon models with 17,600 lb. GVWR are available. See local Wells Cargo dealer for details.

## SPECIFICATIONS 4-Ton Express Wagon® & 5-Ton Express Wagon®

MODEL	EW1224	EW1624	EW2024	EW2424	EW2824	EW3224	EW1225	EW1625	EW2025	EW2425	EW2825	EW3225
<b>Body:</b> Length	12'0"	16'0"	20'0"	24'0"	28'0"	32'0"	12'0"	16'0"	20'0"	24'0"	28'0"	32'0"
Width	7'9"	7'9"	7'9"	7'9"	7'9"	7'9"	7'9"	7'9"	7'9"	7'9"	7'9"	7'9"
<b>Overall:</b> Length	16'0"	20'0"	24'0"	28'0"	32'0"	36'0"	16'0"	20'0"	24'0"	28'0"	32'0"	36'0"
Width (Includes Fenderettes)	8'6"	8'6"	8'6"	8'6"	8'6"	8'6"	8'6"	8'6"	8'6"	8'6"	8'6"	8'6"
Height	8'5"	8'5"	8'5"	8'5"	8'7"	8'7"	8'8"	8'8"	8'8"	8'8"	8'8"	8'8"
<b>Interior:</b> Length	11'9"	15'9"	19'9"	23'9"	27'9"	31'9"	11'9"	15'9"	19'9"	23'9"	27'9"	31'9"
Width	7'6"	7'6"	7'6"	7'6"	7'6"	7'6"	7'6"	7'6"	7'6"	7'6"	7'6"	7'6"
Height	6'6"	6'6"	6'6"	6'6"	6'6"	6'6"	6'6"	6'6"	6'6"	6'6"	6'6"	6'6"
<b>Platform Height:</b> Wheel Boxes	21"	21"	21"	21"	23"	23"	24"	24"	24"	24"	24"	24"
Flush Floor	29"	29"	29"	29"	31"	31"	32"	32"	32"	32"	32"	32"
<b>Axles</b>	Tandem	Tandem	Tandem	Tandem	Tandem	Tandem	Tandem	Tandem	Tandem	Tandem	Tandem	Tandem
<b>Axle Type</b>	4" Drop	4" Drop	4" Drop	4" Drop	4" Drop	4" Drop	4" Drop	4" Drop	4" Drop	4" Drop	4" Drop	4" Drop
<b>Suspension</b>	Torflex®	Torflex®	Torflex®	Torflex®	Torflex®	Torflex®	Torflex®	Torflex®	Torflex®	Torflex®	Torflex®	Torflex®
<b>Tire Size</b>	15"	15"	15"	15"	15"	15"	16"	16"	16"	16"	16"	16"
<b>Load Range</b>	D	D	D	D	D	D	D	D	D	D	D	D
<b>Wheel Bolt Pattern</b>	6-Bolt/5.5	6-Bolt/5.5	6-Bolt/5.5	6-Bolt/5.5	6-Bolt/5.5	6-Bolt/5.5	8-Bolt/6.5	8-Bolt/6.5	8-Bolt/6.5	8-Bolt/6.5	8-Bolt/6.5	8-Bolt/6.5
<b>Hitch Ball Size</b>	2 <sup>5</sup> / <sub>16</sub> "	2 <sup>5</sup> / <sub>16</sub> "	2 <sup>5</sup> / <sub>16</sub> "	2 <sup>5</sup> / <sub>16</sub> "	2 <sup>5</sup> / <sub>16</sub> "	2 <sup>5</sup> / <sub>16</sub> "	2 <sup>5</sup> / <sub>16</sub> "	2 <sup>5</sup> / <sub>16</sub> "	2 <sup>5</sup> / <sub>16</sub> "	2 <sup>5</sup> / <sub>16</sub> "	2 <sup>5</sup> / <sub>16</sub> "	2 <sup>5</sup> / <sub>16</sub> "
<b>Hitch to Top of Ball</b>	19"	19"	19"	19"	21"	21"	22"	22"	22"	22"	22"	22"
<b>Hitch Weight</b> (% of Curb Weight)	10-15%	10-15%	10-15%	10-15%	10-15%	10-15%	10-15%	10-15%	10-15%	10-15%	10-15%	10-15%
<b>Curb Weight</b> (lb.)	2405	2695	2985	3275	4245	4620	2850	3225	3600	3975	4350	4725
<b>GVWR</b> (lb.)	10,000	10,000	10,000	10,000	10,000	10,000	13,200	13,200	13,200	13,200	13,200	13,200
<b>GAWR</b> (lb.)	10,000	10,000	10,000	10,000	10,000	10,000	12,000	12,000	12,000	12,000	12,000	12,000
<b>Avg. Payload Capacity</b> (lb.)	7595	7305	7015	6725	5755	5380	10,350	9975	9600	9225	8850	8475
<b>Cubic Capacity</b> (Cubic Ft.)	572	767	962	1157	1352	1547	572	767	962	1157	1352	1547
<b>Rear Doors</b>	Double	Double	Double	Double	Double	Double	Double	Double	Double	Double	Double	Double
<b>Rear Door Opening:</b> Width	85 <sup>3</sup> / <sub>4</sub> "	85 <sup>3</sup> / <sub>4</sub> "	85 <sup>3</sup> / <sub>4</sub> "	85 <sup>3</sup> / <sub>4</sub> "	85 <sup>3</sup> / <sub>4</sub> "	85 <sup>3</sup> / <sub>4</sub> "	85 <sup>3</sup> / <sub>4</sub> "	85 <sup>3</sup> / <sub>4</sub> "	85 <sup>3</sup> / <sub>4</sub> "	85 <sup>3</sup> / <sub>4</sub> "	85 <sup>3</sup> / <sub>4</sub> "	85 <sup>3</sup> / <sub>4</sub> "
Height	68 <sup>1</sup> / <sub>2</sub> "	68 <sup>1</sup> / <sub>2</sub> "	68 <sup>1</sup> / <sub>2</sub> "	68 <sup>1</sup> / <sub>2</sub> "	68 <sup>1</sup> / <sub>2</sub> "	68 <sup>1</sup> / <sub>2</sub> "	68 <sup>1</sup> / <sub>2</sub> "	68 <sup>1</sup> / <sub>2</sub> "	68 <sup>1</sup> / <sub>2</sub> "	68 <sup>1</sup> / <sub>2</sub> "	68 <sup>1</sup> / <sub>2</sub> "	68 <sup>1</sup> / <sub>2</sub> "

Specifications and features subject to change without notice.



# Express Wagon®



*Features optional equipment available at additional charge.*

## OPTIONS



**Fluorescent Lighting**



**Tinted Radius Windows**



**Workbench**

## SPECIFICATIONS

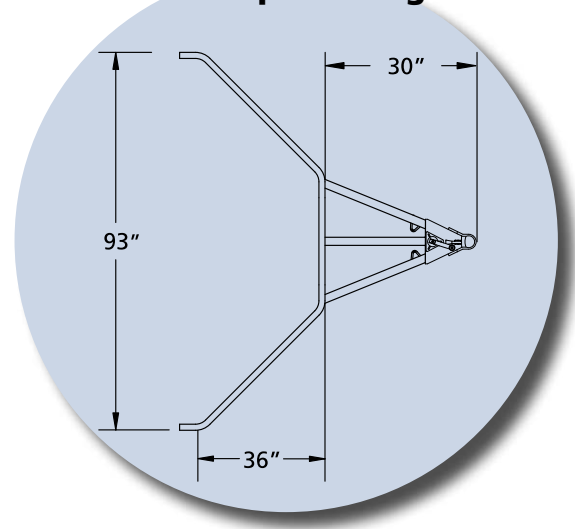
### 2-Ton V-Front Express Wagon®



MODEL	EW1222-V	EW1622-V	EW2022-V	EW2422-V
<b>Body:</b> Length	15'0"	19'0"	23'0"	27'0"
Width	7'9"	7'9"	7'9"	7'9"
<b>Overall:</b> Length	17'6"	21'6"	25'6"	29'6"
Width (Includes Fenderettes)	8'6"	8'6"	8'6"	8'6"
Height	8'5"	8'5"	8'5"	8'5"
<b>Interior:</b> Length	14'9"	18'9"	22'9"	26'9"
Width	7'6"	7'6"	7'6"	7'6"
Height	6'6"	6'6"	6'6"	6'6"
<b>Platform Height:</b> Wheel Boxes	21"	21"	21"	21"
Flush Floor	34"	34"	34"	34"
<b>Axles</b>	Tandem	Tandem	Tandem	Tandem
<b>Axle Type</b>	4" Drop	4" Drop	4" Drop	4" Drop
<b>Suspension</b>	Torflex®	Torflex®	Torflex®	Torflex®
<b>Tire Size</b>	15"	15"	15"	15"
<b>Load Range</b>	C	C	C	C
<b>Wheel Bolt Pattern</b>	5-Bolt/4.5	5-Bolt/4.5	5-Bolt/4.5	5-Bolt/4.5
<b>Hitch Ball Size</b>	2 <sup>5</sup> / <sub>16</sub> "	2 <sup>5</sup> / <sub>16</sub> "	2 <sup>5</sup> / <sub>16</sub> "	2 <sup>5</sup> / <sub>16</sub> "
<b>Hitch to Top of Ball</b>	19"	19"	19"	19"
<b>Hitch Weight</b> (% of Curb Weight)	10-15%	10-15%	10-15%	10-15%
<b>Curb Weight</b> (lb.)	2250	2540	2830	3120
<b>GVWR</b> (lb.)	7700	7700	7700	7700
<b>GAWR</b> (lb.)	7000	7000	7000	7000
<b>Avg. Payload Capacity</b> (lb.)	5450	5160	4870	4580
<b>Cubic Capacity</b> (Cubic Ft.)	645	840	1035	1230
<b>Rear Doors</b>	Double	Double	Double	Double
<b>Rear Door Opening:</b> Width	85 <sup>3</sup> / <sub>4</sub> "	85 <sup>3</sup> / <sub>4</sub> "	85 <sup>3</sup> / <sub>4</sub> "	85 <sup>3</sup> / <sub>4</sub> "
Height	68 <sup>1</sup> / <sub>2</sub> "	68 <sup>1</sup> / <sub>2</sub> "	68 <sup>1</sup> / <sub>2</sub> "	68 <sup>1</sup> / <sub>2</sub> "

### DIMENSIONS

#### V-Front Express Wagon®



**NOTE:** 7-Ton V-Front Express Wagon models with 17,600 lb. GVWR are available. See local Wells Cargo dealer for details.

## SPECIFICATIONS

### 4-Ton V-Front Express Wagon® & 5-Ton V-Front Express Wagon®

MODEL	EW1224-V	EW1624-V	EW2024-V	EW2424-V	EW2824-V	EW3224-V	EW1225-V	EW1625-V	EW2025-V	EW2425-V	EW2825-V	EW3225-V
<b>Body:</b> Length	15'0"	19'0"	23'0"	27'0"	31'0"	35'0"	15'0"	19'0"	23'0"	27'0"	31'0"	35'0"
Width	7'9"	7'9"	7'9"	7'9"	7'9"	7'9"	7'9"	7'9"	7'9"	7'9"	7'9"	7'9"
<b>Overall:</b> Length	17'6"	21'6"	25'6"	29'6"	33'6"	37'6"	17'6"	21'6"	25'6"	29'6"	33'6"	37'6"
Width (Includes Fenderettes)	8'6"	8'6"	8'6"	8'6"	8'6"	8'6"	8'6"	8'6"	8'6"	8'6"	8'6"	8'6"
Height	8'5"	8'5"	8'5"	8'5"	8'7"	8'7"	8'8"	8'8"	8'8"	8'8"	8'8"	8'8"
<b>Interior:</b> Length	14'9"	18'9"	22'9"	26'9"	30'9"	34'9"	14'9"	18'9"	22'9"	26'9"	30'9"	34'9"
Width	7'6"	7'6"	7'6"	7'6"	7'6"	7'6"	7'6"	7'6"	7'6"	7'6"	7'6"	7'6"
Height	6'6"	6'6"	6'6"	6'6"	6'6"	6'6"	6'6"	6'6"	6'6"	6'6"	6'6"	6'6"
<b>Platform Height:</b> Wheel Boxes	21"	21"	21"	21"	23"	23"	24"	24"	24"	24"	24"	24"
Flush Floor	34"	34"	34"	34"	36"	36"	37"	37"	37"	37"	37"	37"
<b>Axles</b>	Tandem	Tandem	Tandem	Tandem	Tandem	Tandem	Tandem	Tandem	Tandem	Tandem	Tandem	Tandem
<b>Axle Type</b>	4" Drop	4" Drop	4" Drop	4" Drop	4" Drop	4" Drop	4" Drop	4" Drop	4" Drop	4" Drop	4" Drop	4" Drop
<b>Suspension</b>	Torflex®	Torflex®	Torflex®	Torflex®	Torflex®	Torflex®	Torflex®	Torflex®	Torflex®	Torflex®	Torflex®	Torflex®
<b>Tire Size</b>	15"	15"	15"	15"	15"	15"	16"	16"	16"	16"	16"	16"
<b>Load Range</b>	D	D	D	D	D	D	D	D	D	D	D	D
<b>Wheel Bolt Pattern</b>	6-Bolt/5.5	6-Bolt/5.5	6-Bolt/5.5	6-Bolt/5.5	6-Bolt/5.5	6-Bolt/5.5	8-Bolt/6.5	8-Bolt/6.5	8-Bolt/6.5	8-Bolt/6.5	8-Bolt/6.5	8-Bolt/6.5
<b>Hitch Ball Size</b>	2 <sup>5</sup> / <sub>16</sub> "	2 <sup>5</sup> / <sub>16</sub> "	2 <sup>5</sup> / <sub>16</sub> "	2 <sup>5</sup> / <sub>16</sub> "	2 <sup>5</sup> / <sub>16</sub> "	2 <sup>5</sup> / <sub>16</sub> "	2 <sup>5</sup> / <sub>16</sub> "	2 <sup>5</sup> / <sub>16</sub> "	2 <sup>5</sup> / <sub>16</sub> "	2 <sup>5</sup> / <sub>16</sub> "	2 <sup>5</sup> / <sub>16</sub> "	2 <sup>5</sup> / <sub>16</sub> "
<b>Hitch to Top of Ball</b>	19"	19"	19"	19"	21"	21"	22"	22"	22"	22"	22"	22"
<b>Hitch Weight</b> (% of Curb Weight)	10-15%	10-15%	10-15%	10-15%	10-15%	10-15%	10-15%	10-15%	10-15%	10-15%	10-15%	10-15%
<b>Curb Weight</b> (lb.)	2575	2865	3155	3445	4415	4790	3020	3395	3770	4145	4520	4895
<b>GVWR</b> (lb.)	10,000	10,000	10,000	10,000	10,000	10,000	13,200	13,200	13,200	13,200	13,200	13,200
<b>GAWR</b> (lb.)	10,000	10,000	10,000	10,000	10,000	10,000	12,000	12,000	12,000	12,000	12,000	12,000
<b>Avg. Payload Capacity</b> (lb.)	7425	7135	6845	6555	5585	5210	10,180	9805	9430	9055	8680	8305
<b>Cubic Capacity</b> (Cubic Ft.)	645	840	1035	1230	1425	1620	645	840	1035	1230	1425	1620
<b>Rear Doors</b>	Double	Double	Double	Double	Double	Double	Double	Double	Double	Double	Double	Double
<b>Rear Door Opening:</b> Width	85 <sup>3</sup> / <sub>4</sub> "	85 <sup>3</sup> / <sub>4</sub> "	85 <sup>3</sup> / <sub>4</sub> "	85 <sup>3</sup> / <sub>4</sub> "	85 <sup>3</sup> / <sub>4</sub> "	85 <sup>3</sup> / <sub>4</sub> "	85 <sup>3</sup> / <sub>4</sub> "	85 <sup>3</sup> / <sub>4</sub> "	85 <sup>3</sup> / <sub>4</sub> "	85 <sup>3</sup> / <sub>4</sub> "	85 <sup>3</sup> / <sub>4</sub> "	85 <sup>3</sup> / <sub>4</sub> "
Height	68 <sup>1</sup> / <sub>2</sub> "	68 <sup>1</sup> / <sub>2</sub> "	68 <sup>1</sup> / <sub>2</sub> "	68 <sup>1</sup> / <sub>2</sub> "	68 <sup>1</sup> / <sub>2</sub> "	68 <sup>1</sup> / <sub>2</sub> "	68 <sup>1</sup> / <sub>2</sub> "	68 <sup>1</sup> / <sub>2</sub> "	68 <sup>1</sup> / <sub>2</sub> "	68 <sup>1</sup> / <sub>2</sub> "	68 <sup>1</sup> / <sub>2</sub> "	68 <sup>1</sup> / <sub>2</sub> "

*Specifications and features subject to change without notice.*



# SmartFrame Technology™

## Sound Design. Solid Performance.

SmartFrame Technology begins with the understanding that the frame, although not very glamorous, is the true source of a trailer's durability. Without a solid foundation, a steel-structured foundation, everything else is just for show. The following pages highlight our SmartFrame Technology approach to trailer design along with many other exclusive features that assure your Wells Cargo will outperform any trailer on the market. We encourage you to compare. You might get a little dirt on your knees, but in the long run you'll be glad you did.

- 1) Torflex® Rubber Torsion Axles with E-Z Lube Hubs
- 2) E-Coated Silver Spoke Wheels
- 3) Goodyear® Radial Tires
- 4) ATP Fenders (Single Axle) or Smooth Aluminum Fenders (Tandem Axle)
- 5) Tubular Steel Main Rails
- 6) Full Height Steel C-channel Crossmembers
- 7) Radius Steel Corner Posts (Front & Rear)
- 8) Galvanized Steel Roof Bows
- 9) Structural Angle Top & Bottom Sills
- 10) Sidewalls with Vertical Wall Hat Posts on 16" Centers
- 11) Electrolysis Barrier
- 12) CPC Undercoating on Complete Chassis



### Radius Corner Posts

Radius steel corner posts, front and rear, extend to the bottom of the frame providing the maximum welding surface possible. End rails and corner posts welded together both horizontally and vertically and gusseted for long lasting durability.



### Body Frames & Roof Bows

All door openings are welded with formed steel channel headers and gusseted for rigid anchoring. One-piece roof bows are galvanized steel hat sections welded directly to top sidewall sills. Notched wall posts (see inset) provide smooth, level surface for skin.



### 12 Volt Electrical System

All 12 volt wiring is completely weather protected with no direct exposure to the elements or road hazards. The molded, 4-wire cable is routed inside the tubular main rail. All brake wiring is run through conduit into a welded channel on the axle.



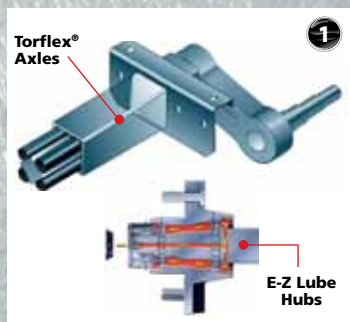

### Tubular Steel Main Rail Chassis

The heavy-duty tubular steel main rail used by Wells Cargo is more rigid and less likely to flex compared to "I-Beam" construction offered by other brands. Our full height steel cross members, end rails, and outriggers assure you get the strongest construction on the market.



# NEV-R-ADJUST™

FORWARD SELF-ADJUSTING ELECTRIC BRAKES

Chassis is protected with a laboratory tested, Corrosion Preventive Compound, to deter the accumulation of rust.



- 13) Painted Steel Surfaces include Primer & Urethane Topcoat
- 14) .030 Prefinished Aluminum Exterior
  - ◆ 4', 5' & 6' wide models feature Bonded Panels
  - ◆ 7' and 8' wide models feature Rust Resistance Fasteners
- 15) Extruded Aluminum Roof Cove with Drip Rail (Anodized)
- 16) Extruded Aluminum Bottom Trim (Anodized)
- 17) Seamless Aluminum Roof (8' wide models feature Smooth Galvanized Steel)
- 18) Fiberglass End Caps (Front & Rear)
- 19) Double Rear Doors with Insulated Core Frame, Zinc Plated Steel Strap Hinges & Grease Zerks
- 20) Full Length Aluminum "Anti-Rack" Cam Bar

- 21) Stainless Steel Security Hasp
- 22) 1/4" Plywood Interior Sidewall Liner
- 23) 3/4" Exterior Grade Plywood Floor  
(Exterior Surface Undercoated, Interior Surface Painted Gray)
- 24) Brake, Clearance & Marker Lights feature 12V LED  
(All Exterior Lighting is wired using molded "plug-in" style wiring harnesses for a solid connection.)
- 25) Wells Cargo LED Safety Package  
(Clearance Lights on Rear Roof Cap serve as a High Profile Brake Light and Side Clearance Lights serve as Turn Indicators.)

- 26) Lighted License Plate Holder
- 27) Positive Lock Ball Coupler Hitch with Replaceable "Locking Dog"
- 28) Top-Crank Jack with Sand Pad
- 29) Easy Access Junction Box
- 30) Weather-Protected 12V Wiring
- 31) D.O.T. Wet Cell Battery
- 32) Dexter® Nev-R-Adjust Brakes  
(Standard on trailers equipped with electric brakes — 3500 lb. to 8000 lb. axles)



NOTE: Shown with optional Side Entry Door and ATP Stone Guard.  
Standard features, specifications & dimensions subject to change without notice.



# Options, Upgrades & Customizing

Every Wells Cargo enclosed cargo trailer is jam-packed with a laundry list of quality standard features. From a practical point of view, that's what you want. However, the real thrill comes from taking that dream trailer concept in your head and turning it into a reality. Wells Cargo has the selection, the resources, and the experience to build your cargo trailer just the way you want it. Do you like to stand out of the crowd? Choose from hundreds of striking exterior options. Or, maybe you're more of a "Do-It-Yourself" kind of person and prefer a garage on wheels. We can do that, too. Check out our generous assortment of interior upgrades that will really make you feel at home. It doesn't matter the size or the application, Wells Cargo is up to the challenge.



**Halogen Backup Light**



**12-Volt Utility Light (Exterior)**



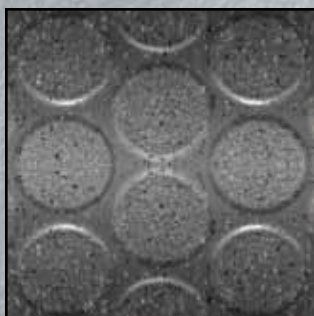
**Roof Vent with Exhaust Fan**



**Spare Tire Carrier (Exterior)**



**Roof Vent Cover**



**Skid-Resistant Vinyl Flooring**





- 1. Roll-Out Awning
- 2. Spare Tire Carrier (Interior)
- 3. Recessed Step
- 4. Overhead Cabinet with 34,000 BTU Furnace, Vinyl Lined Ceiling & Dome Light
- 5. Overhead Cabinet
- 6. Aluminum Ladder
- 7. 12-Volt Power Jack Ram Hoist
- 8. Air Conditioner (Roof Mounted)
- 9. Telescoping Exterior Light
- 10. ATP Stone Guard & Anodized Corners

### .030 Prefinished Aluminum Skin



White



Victory Red



Black



Pewter



Indigo Blue



Champagne



Brandywine



Beige



Charcoal Gray



Dove Gray



Dark Green

Skin colors shown are representative only. See your dealer for accurate samples.

# EXTERIOR COLORS

## Wells Cargo and Our Legacy of Engineering Leadership



Many people say that all enclosed trailers look pretty much alike. We consider that a compliment since it was Wells Cargo who pioneered the industry over 55 years ago. State-of-the-art takes on a whole new meaning when you compare the first trailer we built in 1954 with our product line today. Old "No. 1" looked pretty good back then, but we've come a long way since. Experience has made the difference and ours is unmatched. Our Research & Development facilities keep us the frontrunners of the industry. After thorough evaluation and comparison, we think you'll agree that Wells Cargo has earned our long standing reputation as the premium cargo trailer on the market and the best overall investment.

Rest assured that after you make the decision to buy a Wells Cargo, our commitment to you is not over. Our comprehensive 6-Year "Never Look Back" Warranty Program is more than just words. It's about how quickly and responsibly we respond to your needs. It's the peace-of-mind you get knowing your investment is protected by an established company with a solid reputation. If our work or materials are at fault, we'll make it right. Any one of our six manufacturing facilities or our national network of professional dealers stand ready to service your trailer should the unlikely need arise.



## More Great Trailers

For **WORK**, durable Wells Cargo trailers are used every day by Contractors, Landscapers, Fire Departments, Utility Companies, Heavy and Light Industry; anywhere value of investment is critical.

For **FUN**, you'll see Wells Cargo trailers carrying race cars, collector cars, snowmobiles, motorcycles, ATV's, antiques, and recreational/sporting equipment; anywhere reliable service and carefree towing is a must. You'll see Wells Cargo trailers pulled by big trucks, little trucks, passenger cars, and motorhomes.

You'll find Wells Cargo trailers in almost any situation requiring dependable, economical transportation and storage.



**AUTHORIZED WELLS CARGO DEALER**



©Wells Cargo, Inc. 2005 LITHO USA Form CARGO 400R1009

**(800) 348-7553**

**www.wellscargo.com**

**Elkhart, IN  
Carbondale, PA**

**Waco, TX  
Phoenix, AZ**

**Ogden, UT  
Waycross, GA**